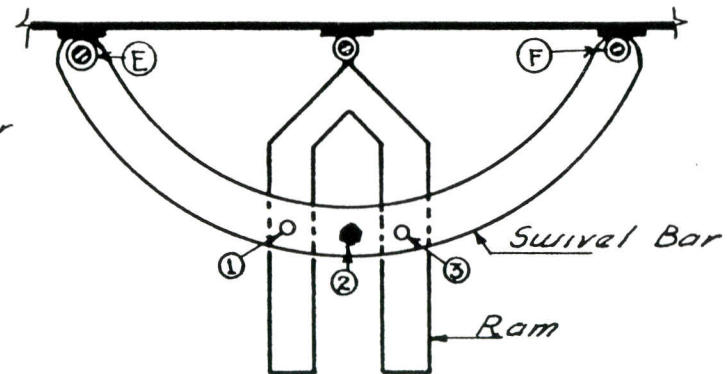
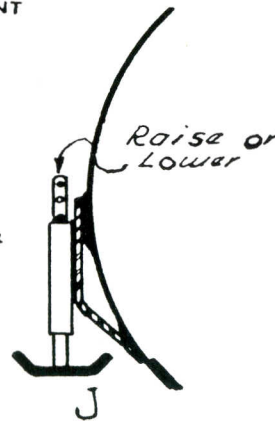


TIGER TRACTOR CORPORATION
KEYSER, WEST VIRGINIA

- 1- MOUNT MAIN FRAME UNDERNEATH TRACTOR WITH 1" SHAFT THRU DRAWBAR EARS "A" AND WITH 1/2" BOLT THRU DOZER "EARS" "B".
- 2- MOUNT RAM TO MAIN FRAME AT POINT "C" WITH 1" SHAFT.
- NOTE- 1- ON TRACTORS WITH 16" WHEELS- MOUNT THRU LOWER 1" HOLE "D"
2- ON TRACTORS WITH 12" WHEELS- MOUNT THRU UPPER 1" HOLE "C".
- 3- MOUNT SWIVEL BAR TO DOZER BLADE AT POINTS "E" AND "F".
- 4- MOUNT FOOT LIFT RAISING ASSEMBLY TO MAIN FRAME AT POINT "G".
- 5- MOUNT RAISING LINK FROM RAM TO FOOT LIFT RAISING ASSEMBLY AT POINTS "H" AND "I".
- 6- TO ADJUST DEPTH OF BLADE - RAISE OR LOWER FEET ON DOZER BLADE (SEE INSET "J").



TO ANGLE RIGHT PUT BOLT THRU HOLE # 3.

TO ANGLE LEFT PUT BOLT THRU HOLE # 1.

FOR STRAIGHT AHEAD PUSHING PUT BOLT IN HOLE # 2 AS SHOWN.

BULLDOZER/SNOWPLOW MOUNTING DIAGRAM MODEL 883 TIGER TRACTOR